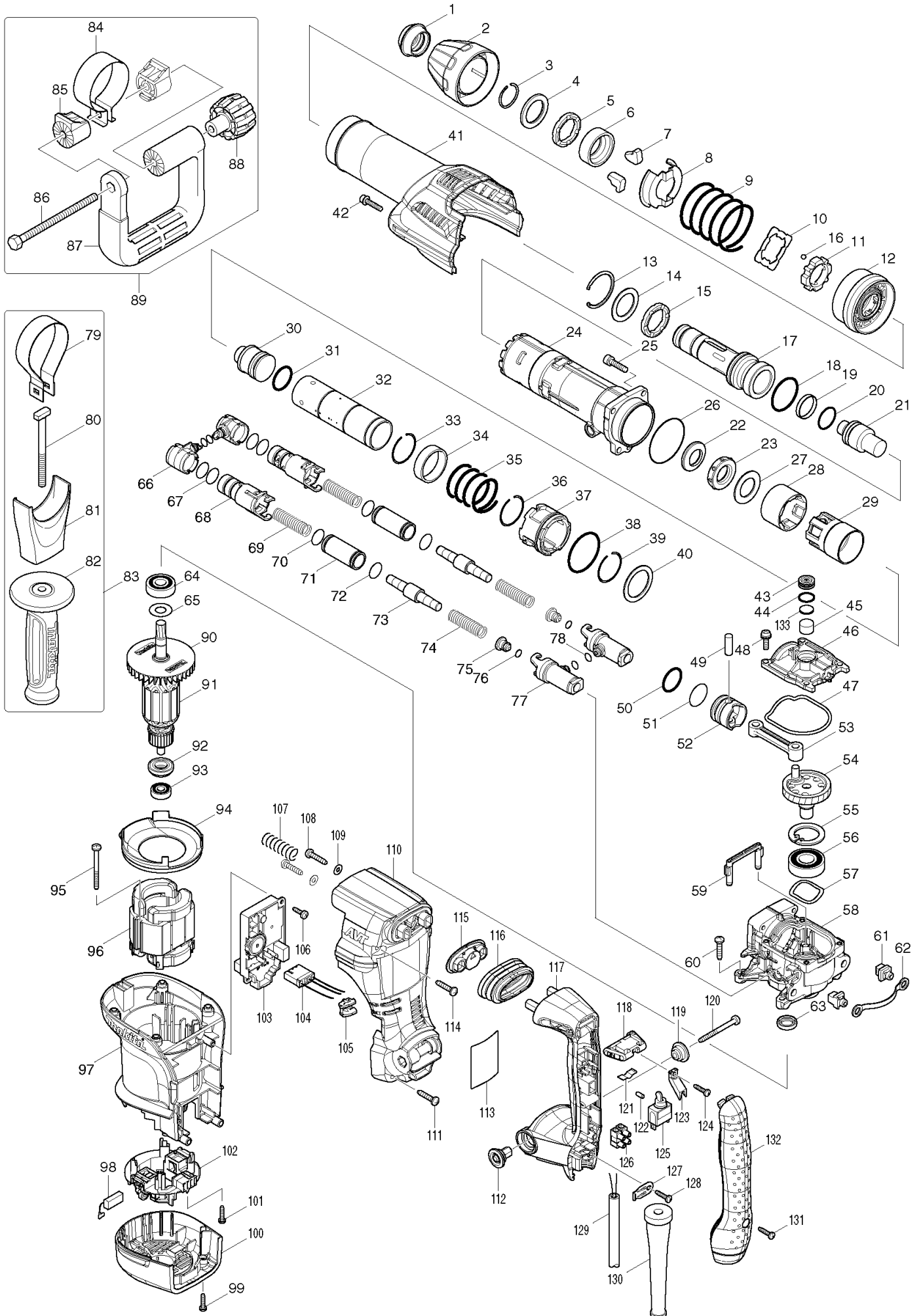


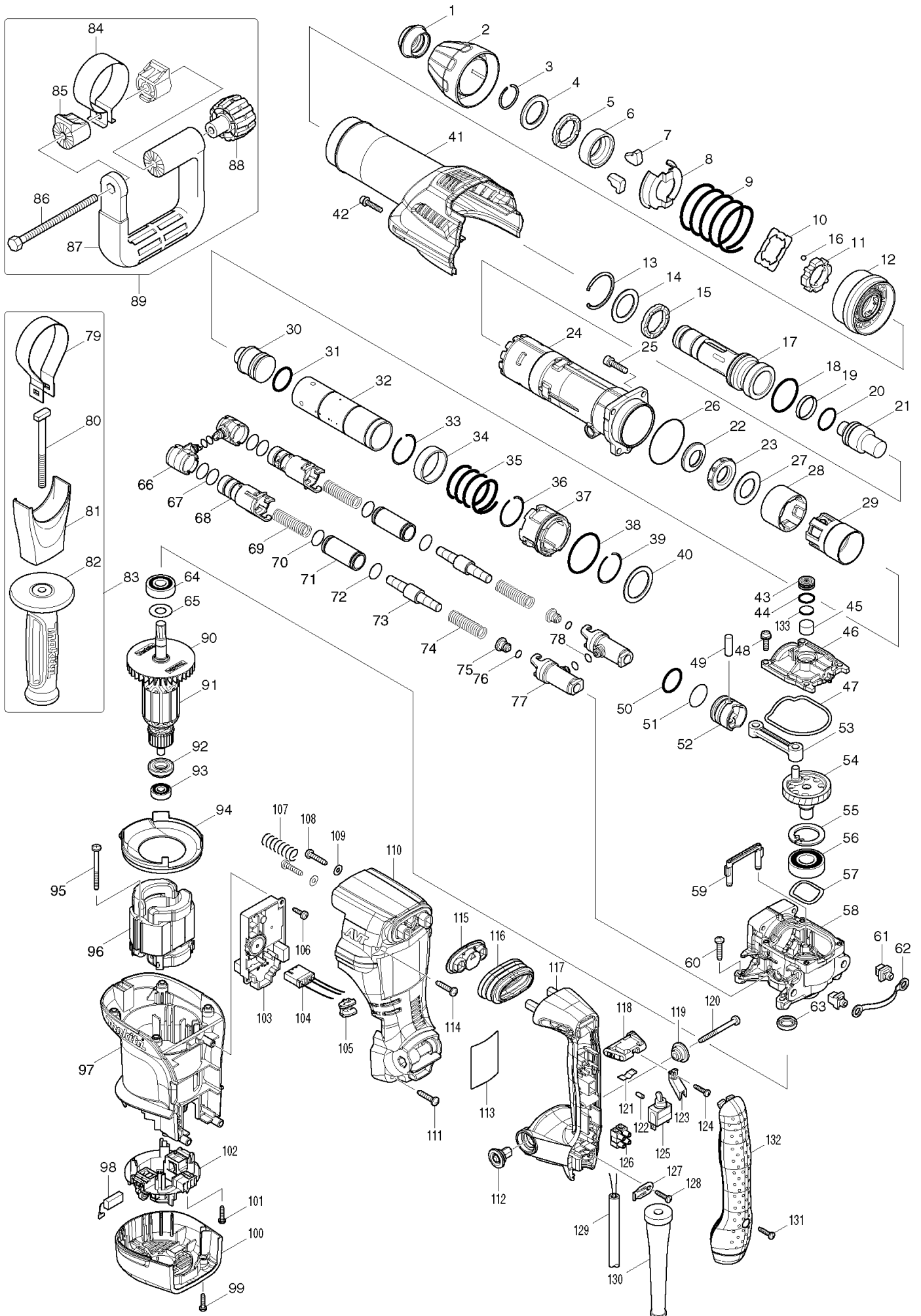
Skissritning för HM0871C - Bilningshammare



Nr.	Art nr.	Namn
1	286287-0	TOOL HOLDER CAP
2	451432-8	CHUCK COVER
3	231984-3	RING SPRING 25
4	267272-2	FLAT WASHER 28
5	424261-2	RUBBER RING 28
6	331659-5	CHUCK RING
7	310108-5	TOOL RETAINER
8	345360-6	SPRING GUIDE
9	233387-7	COMPRESSION SPRING 52
10	346141-1	PLATE
11	310145-9	LOCK RING
12	451433-6	CHANGE RING
13	257960-9	RETAINING RING(INT) ROUND R-42
14	267273-0	FLAT WASHER 29
15	424261-2	RUBBER RING 28
16	216002-8	STEEL BALL 4.8
17	324387-9	TOOL HOLDER
18	213527-3	O RING 38
19	213431-6	FLUORIDE RING 28
20	213394-6	O RING 23
21	324389-5	IMPACT BOLT
22	325732-1	RING 20
23	424245-0	RUBBER RING 20
24	318511-4	BARREL
25	922341-3	HEX. SOCKET HEAD BOLT M6X25
26	213656-2	O RING 53
27	267407-5	FLAT WASHER 23
28	451639-6	GUIDE RING
29	450098-1	SLIDE SLEEVE
30	324388-7	STRIKER
31	213958-6	O RING 24
32	331658-7	CYLINDER 32
33	233927-1	RING SPRING 34
34	331660-0	RING 36
35	233386-9	COMPRESSION SPRING 37
36	233927-1	RING SPRING 34
37	318510-6	CYLINDER GUIDE
38	213611-4	O RING 46
39	233927-1	RING SPRING 34
40	267079-6	FLAT WASHER 34
41	451443-3	HOUSING COVER
42	922243-3	HEX. SOCKET HEAD BOLT M5X25
43	419988-7	FILTER CAP
44	213218-6	O RING 16
45	443129-3	FILTER
46	451434-4	CRANK CAP
47	424244-2	SEAL RING
48	911233-1	PAN HEAD SCREW M5X20

49	268104-6	PIN 8
50	213958-6	O RING 24
51	213432-4	O RING 26
52	418349-8	PISTON
53	418350-3	CONNECTING ROD
54	325734-7	CRANK SHAFT 17.5
55	962157-4	RETAINING RING R-40
56	211281-3	BALL BEARING 6203LLU
57	267825-7	WAVE WASHER 30
58	140204-3	CRANK HOUSING COMPLETE
59	451429-7	AIR PIPE
60	266041-8	TAPPING SCREW 5X25
61	419008-7	FIX GUIDE
62	423400-1	CUSHION PLATE
63	213133-4	OIL SEAL 12
64	211106-1	BALL BEARING 6201LLB
65	253759-0	FLAT WASHER 12
66	451430-2	PIPE HOLDER SUPPORT
67	213275-4	O RING 18
68	451436-0	PIPE HOLDER B
69	234134-9	COMPRESSION SPRING 12
70	213275-4	O RING 18
71	324572-4	PIPE 16
72	213275-4	O RING 18
73	325733-9	COUNTER WEIGHT
74	234134-9	COMPRESSION SPRING 12
75	419011-8	SPRING GUIDE
76	213030-4	O RING 8
77	451435-2	PIPE HOLDER A
78	213030-4	O RING 8
79	346140-3	GRIP SPRING 70
80	266522-2	SQUARE BOLT M8X95
81	418363-4	SIDE GRIP BASE 60
82	158131-0	Sivukahva HM0870C, HM0871C, HR3541FC, HR4001C, HR4011C, HR4501C, HR4511C, HR5201C, HR5211C
91	513793-5	ARMATURE ASSEMBLY 220-240V
92	681650-6	INSULATION WASHER
93	210005-4	BALL BEARING 608DDW
94	451438-6	BAFFLE PLATE
95	266095-5	TAPPING SCREW 5X55
96	625764-1	FIELD 240V
97	451423-9	MOTOR HOUSING
98	194160-9	Hillet CB-350
99	265995-6	TAPPING SCREW 4X18
100	451442-5	REAR COVER
101	265995-6	TAPPING SCREW 4X18
102	638674-3	BRUSH HOLDER UNIT
103	631932-6	CONTROLLER
104	638675-1	LEAD UNIT
105	451428-9	LENS

106	266192-7	TAPPING SCREW 4X14
107	233434-4	COMPRESSION SPRING 11
108	266041-8	TAPPING SCREW 5X25
109	267066-5	FLAT WASHER 5
110	451447-5	HANDLE BASE
111	266041-8	TAPPING SCREW 5X25
112	451431-0	HANDLE RETAINER
113	867384-7	HM0871C NAME PLATE
114	266041-8	TAPPING SCREW 5X25
115	451437-8	DUST COVER SUPPORT
116	424247-6	DUST COVER
117	140205-1	HANDLE COMPLETE
118	451439-4	SLIDE LEVER
119	450352-3	SHOULDER SLEEVE 6
120	266095-5	TAPPING SCREW 5X55
121	232209-8	LEAF SPRING
122	263027-3	RUBBER PIN 4
123	451427-1	SWITCH LEVER
124	265995-6	TAPPING SCREW 4X18
125	651418-4	SWITCH ST115A-40
126	654531-7	TERMINAL BLOCK 2P
127	687169-3	STRAIN RELIEF
128	265995-6	TAPPING SCREW 4X18
129	695123-3	POWER SUPPLY CORD 1.5-2-4.0
130	682560-0	CORD GUARD 10
131	265995-6	TAPPING SCREW 4X18
132	451445-9	HANDLE COVER
133	423411-6	RUBBER PLATE



Nr.	Art nr.	Namn
1	286287-0	TOOL HOLDER CAP
2	451432-8	CHUCK COVER
3	231984-3	RING SPRING 25
4	267272-2	FLAT WASHER 28
5	424261-2	RUBBER RING 28
6	331659-5	CHUCK RING
7	310108-5	TOOL RETAINER
8	345360-6	SPRING GUIDE
9	233387-7	COMPRESSION SPRING 52
10	346141-1	PLATE
11	310145-9	LOCK RING
12	451433-6	CHANGE RING
13	257960-9	RETAINING RING(INT) ROUND R-42
14	267273-0	FLAT WASHER 29
15	424261-2	RUBBER RING 28
16	216002-8	STEEL BALL 4.8
17	324387-9	TOOL HOLDER
18	213527-3	O RING 38
19	213431-6	FLUORIDE RING 28
20	213394-6	O RING 23
21	324389-5	IMPACT BOLT
22	325732-1	RING 20
23	424245-0	RUBBER RING 20
24	318511-4	BARREL
25	922341-3	HEX. SOCKET HEAD BOLT M6X25
26	213656-2	O RING 53
27	267407-5	FLAT WASHER 23
28	451639-6	GUIDE RING
29	450098-1	SLIDE SLEEVE
30	324388-7	STRIKER
31	213958-6	O RING 24
32	331658-7	CYLINDER 32
33	233927-1	RING SPRING 34
34	331660-0	RING 36
35	233386-9	COMPRESSION SPRING 37
36	233927-1	RING SPRING 34
37	318510-6	CYLINDER GUIDE
38	213611-4	O RING 46
39	233927-1	RING SPRING 34
40	267079-6	FLAT WASHER 34
41	451443-3	HOUSING COVER
42	922243-3	HEX. SOCKET HEAD BOLT M5X25
43	419988-7	FILTER CAP
44	213218-6	O RING 16
45	443129-3	FILTER
46	451434-4	CRANK CAP
47	424244-2	SEAL RING
48	911233-1	PAN HEAD SCREW M5X20

49	268104-6	PIN 8
50	213958-6	O RING 24
51	213432-4	O RING 26
52	418349-8	PISTON
53	418350-3	CONNECTING ROD
54	325734-7	CRANK SHAFT 17.5
55	962157-4	RETAINING RING R-40
56	211281-3	BALL BEARING 6203LLU
57	267825-7	WAVE WASHER 30
58	140204-3	CRANK HOUSING COMPLETE
59	451429-7	AIR PIPE
60	266041-8	TAPPING SCREW 5X25
61	419008-7	FIX GUIDE
62	423400-1	CUSHION PLATE
63	213133-4	OIL SEAL 12
64	211106-1	BALL BEARING 6201LLB
65	253759-0	FLAT WASHER 12
66	451430-2	PIPE HOLDER SUPPORT
67	213275-4	O RING 18
68	451436-0	PIPE HOLDER B
69	234134-9	COMPRESSION SPRING 12
70	213275-4	O RING 18
71	324572-4	PIPE 16
72	213275-4	O RING 18
73	325733-9	COUNTER WEIGHT
74	234134-9	COMPRESSION SPRING 12
75	419011-8	SPRING GUIDE
76	213030-4	O RING 8
77	451435-2	PIPE HOLDER A
78	213030-4	O RING 8
79	346140-3	GRIP SPRING 70
80	266522-2	SQUARE BOLT M8X95
81	418363-4	SIDE GRIP BASE 60
82	158131-0	Sivukahva HM0870C, HM0871C, HR3541FC, HR4001C, HR4011C, HR4501C, HR4511C, HR5201C, HR5211C
91	513793-5	ARMATURE ASSEMBLY 220-240V
92	681650-6	INSULATION WASHER
93	210005-4	BALL BEARING 608DDW
94	451438-6	BAFFLE PLATE
95	266095-5	TAPPING SCREW 5X55
96	625764-1	FIELD 240V
97	451423-9	MOTOR HOUSING
98	194160-9	Hillet CB-350
99	265995-6	TAPPING SCREW 4X18
100	451442-5	REAR COVER
101	265995-6	TAPPING SCREW 4X18
102	638674-3	BRUSH HOLDER UNIT
103	631932-6	CONTROLLER
104	638675-1	LEAD UNIT
105	451428-9	LENS

106	266192-7	TAPPING SCREW 4X14
107	233434-4	COMPRESSION SPRING 11
108	266041-8	TAPPING SCREW 5X25
109	267066-5	FLAT WASHER 5
110	451447-5	HANDLE BASE
111	266041-8	TAPPING SCREW 5X25
112	451431-0	HANDLE RETAINER
113	867384-7	HM0871C NAME PLATE
114	266041-8	TAPPING SCREW 5X25
115	451437-8	DUST COVER SUPPORT
116	424247-6	DUST COVER
117	140205-1	HANDLE COMPLETE
118	451439-4	SLIDE LEVER
119	450352-3	SHOULDER SLEEVE 6
120	266095-5	TAPPING SCREW 5X55
121	232209-8	LEAF SPRING
122	263027-3	RUBBER PIN 4
123	451427-1	SWITCH LEVER
124	265995-6	TAPPING SCREW 4X18
125	651418-4	SWITCH ST115A-40
126	654531-7	TERMINAL BLOCK 2P
127	687169-3	STRAIN RELIEF
128	265995-6	TAPPING SCREW 4X18
129	695123-3	POWER SUPPLY CORD 1.5-2-4.0
130	682560-0	CORD GUARD 10
131	265995-6	TAPPING SCREW 4X18
132	451445-9	HANDLE COVER
133	423411-6	RUBBER PLATE